

COLOR SPOT



General Description:

Color Spot wall washer is powered by 15PCS of 1W LEDs. Color Spot provides an even and wide color wash for different surfaces, mainly walls. This product is ideal for projects requiring large areas to color washer.

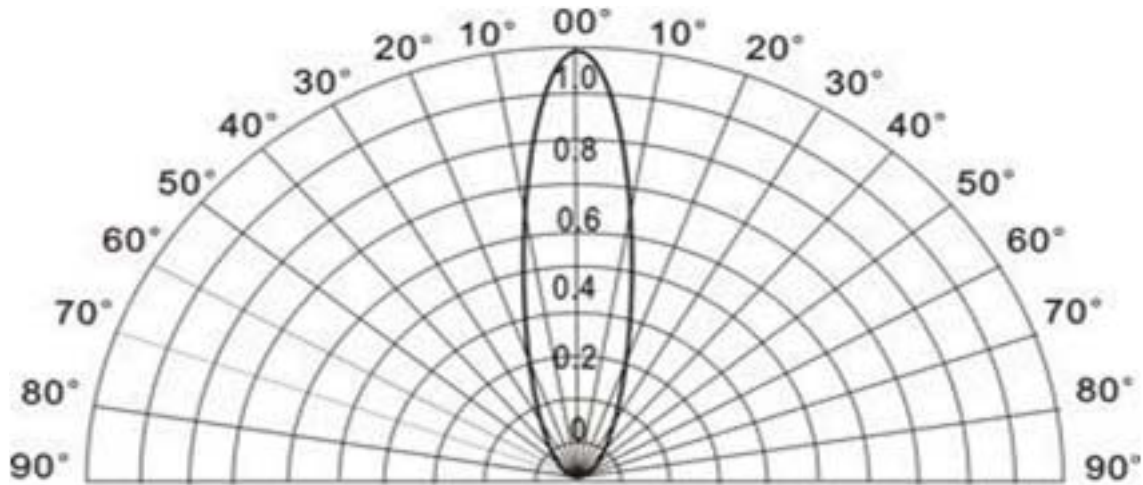
Color Spot is housed in a die-cast, waterproof structure with IP67 rating so it can adapt to various working moisture conditions. Each LED has a concentrate light lens which can shoot a distance of more than 39'.

Specification:

Size:	10.70" x 5.86" x 7.87"
Color:	16,777,216 true colors
LED:	1W high power LED
LED Quantity:	5R/5G/5B, Total 15PCS
Cover:	Tempered glass
Housing:	Die casting
Beaming angle:	25 degrees
Life span:	>=80000 hours.
Signal port:	Waterproof connect
Controller:	DMX512 control
Input:	350mA/24V
Power consumption:	Max 20W
Power supply:	PX3670
Working Temperature:	-20° ~ 60°
Working Humidity:	0%~90% relative humidity
IP class:	IP67

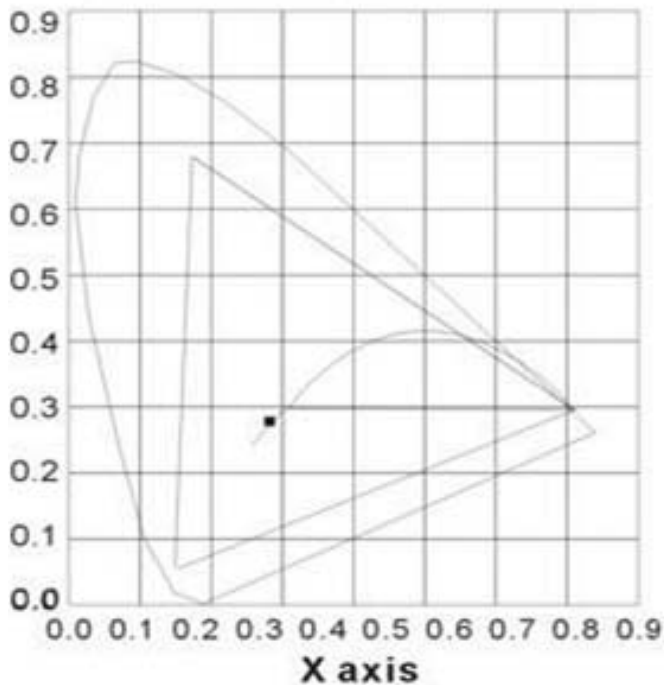
COLOR SPOT

Beam Angle Charts:



Circle area is the beaming angle:25°

CIE Chromatic Diagram



Diamond area is white color

COLOR SPOT

Light Measurement:

Luminance:

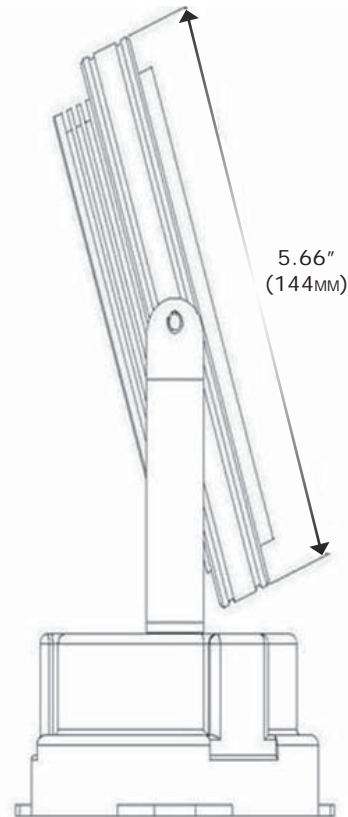
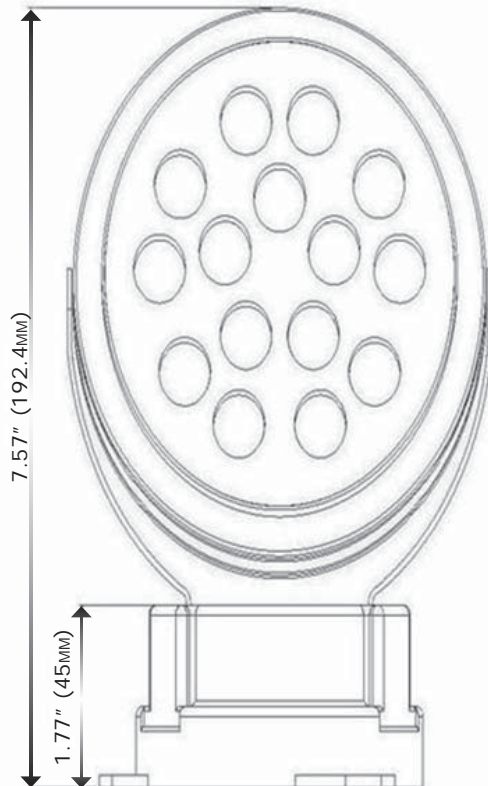
Color	3'	6'	9'	12'	15'
	1M	2M	3M	4M	5M
White	289.4	72.4	32.2	18.2	11.6
	3114.3	778.6	346.0	195.5	125.3
Red	139.4	34.9	15.5	8.8	5.6
	1500.0	375.0	166.7	94.2	60.4
Green	126.1	31.5	14.0	7.9	5.1
	1356.5	339.1	150.7	85.2	54.6
Blue	50.2	12.5	5.6	3.2	2.0
	540.0	135.0	60.0	33.9	21.7

cd/mm², candles/square

Luminous Flux:

Color	Output (lm)	Power (w)	Emission efficiency (lm/w)
White	675	15	45
Red	175	5	35
Green	225	5	45
Blue	60	5	12

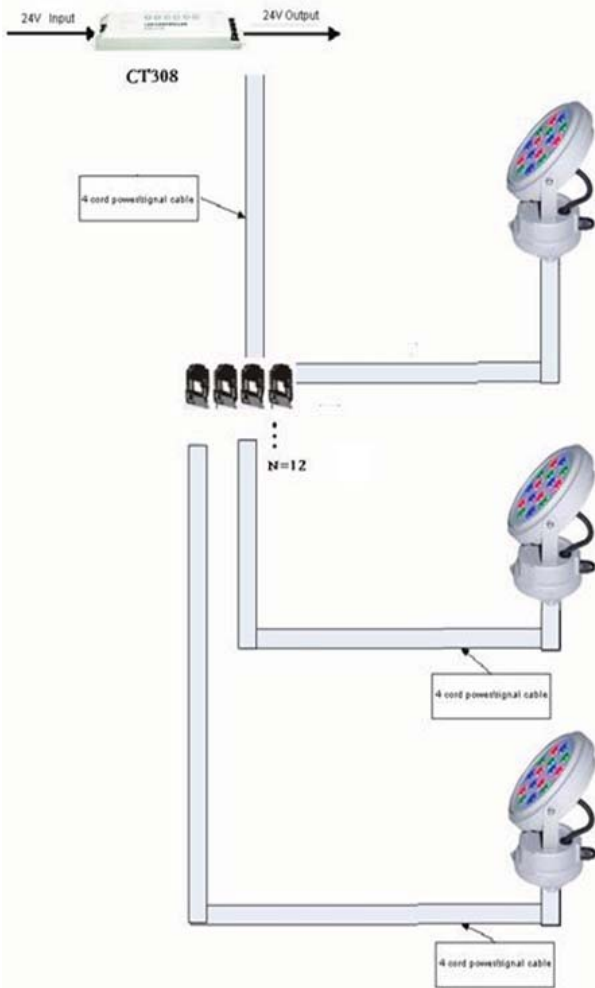
Diagram Views:



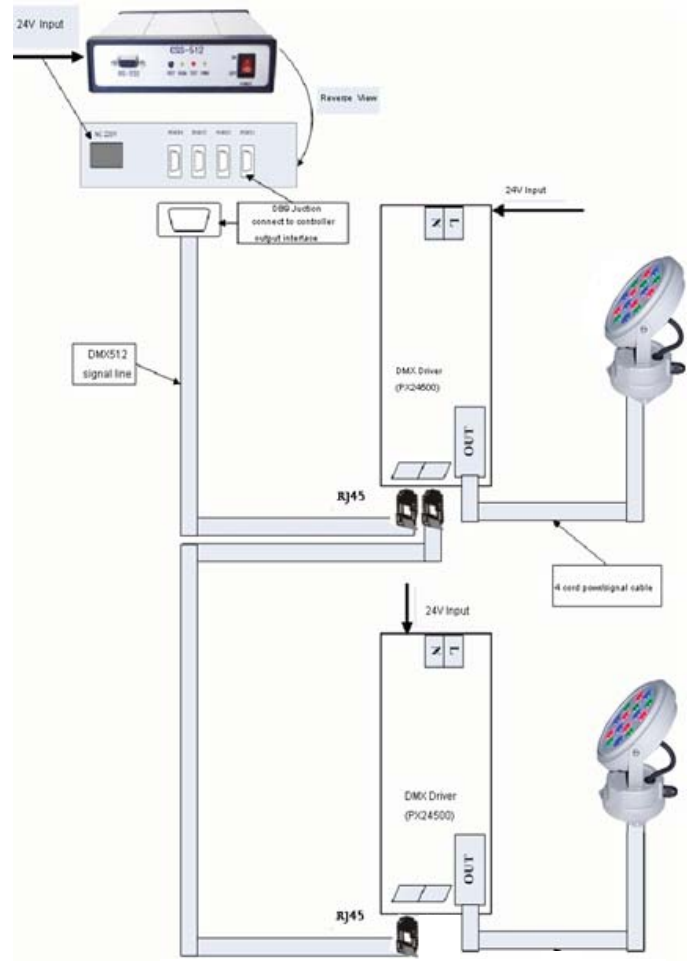
COLOR SPOT

Wiring Instruction:

Wiring Instruction (CT308 controller)

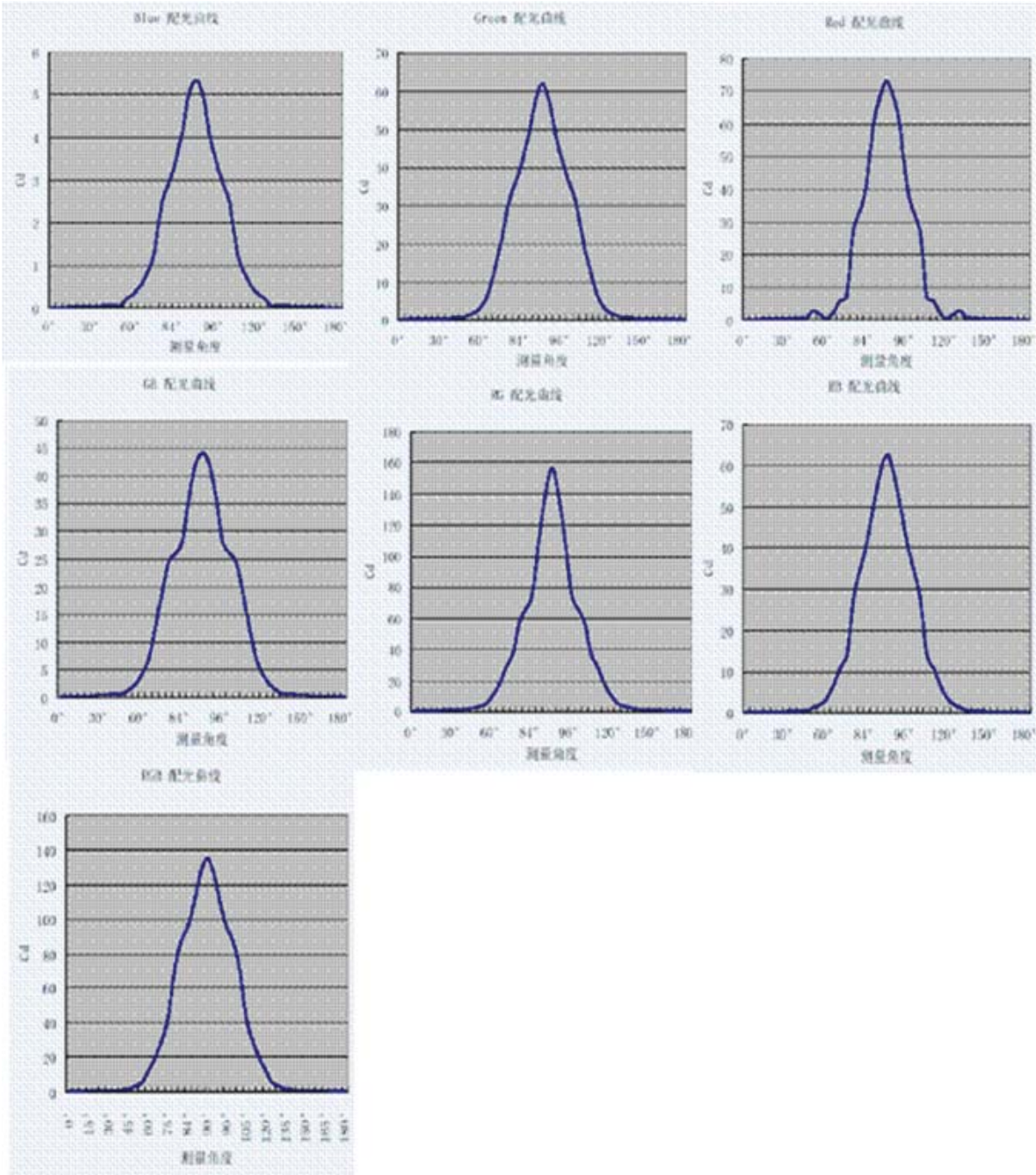


Wiring Instruction (DMX512 controller)



COLOR SPOT

Photometric Performance:



*Testing instrument was the TES1335 Lighting Mete